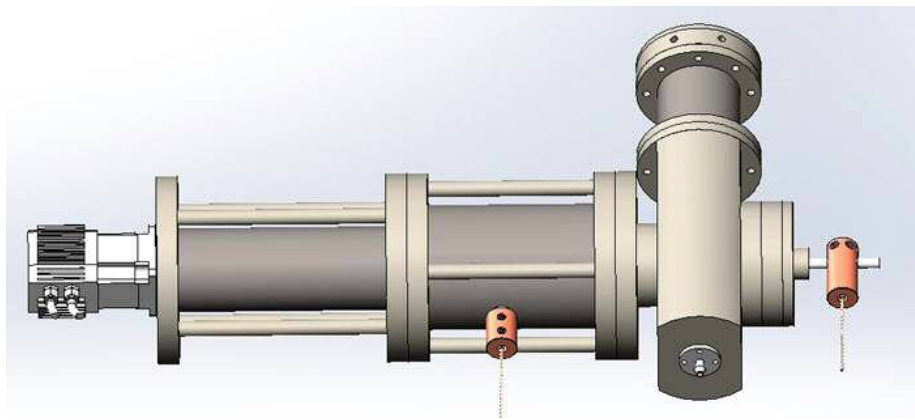


Ground Breaking Patent Application filed at the US Patent and Trademark Office to cover Thunder Energies' Directional Neutron Source.

TARPON SPRINGS, Fla., August 14, 2017 (GLOBE NEWSWIRE) - Brian Buckley, Sales Manager of Thunder Energies Corporation, a publicly traded company with stock symbol (OTC:TNRG), announces that Dr. Ruggero Santilli, the Company's Chief Scientist, has filed a patent application entitled "Directional Production of Composite Particles," U.S. serial no. 62/518,047, Docket no. TEC-0103, for the protection of the Company's directional source of neutrons for the detection of concealed nuclear material and other industrial applications (<http://www.thunder-energies.com/index.php/ct-menu-item-18/11-articles/19-article-10>).

Dr. Santilli states: "Neutrons are synthesized from hydrogen atoms in the core of stars. Following decades of mathematical, theoretical, and experimental studies initiated when I was in the faculty of Harvard University during the 1980's under support from the Department of Energy, we have achieved for the first time the laboratory synthesis of neutrons from a hydrogen gas, which achievement is now part of scientific history." (see the recent experimental confirmations and references quoted therein <http://www.santilli-foundation.org/docs/122015010-final-07-04-17.pdf>)



"Following the above cutting edge technological advances," Dr. Santilli continues, "we have succeeded in producing neutrons in a given direction, resulting in the novel Directional Neutron Source currently in production and for sale, following an order with down payment from Europe (<http://www.globenewswire.com/news-release/2017/07/24/1056154/0/en/Thunder-Energies-Announces-a-Breakthrough-in-the-Neutron-Technology.html>). The resulting low energy neutron gun is particularly suited for a variety of industrial applications, including: 1) The scanning of suitcases in airports for concealed nuclear material; 2) The irradiation of tunnels in mines to identify the presence and concentration of precious metals; 3) The probe of large welds in naval constructions; and other applications (<http://thesiliconreview.com/magazines/thunder-energies-corporation-tec-is-a-new-pathway-for-development-in-cutting-edge-technology>).

Forward Looking Statements

Certain statements in this news release may contain forward-looking information within the meaning of Rule 175 under the Securities Act of 1933 and Rule 3b-6 under the Securities Exchange Act of 1934, and are subject to the safe harbor created by those rules. All statements, other than statements of fact, included in this release, including, without limitation, statements regarding potential future plans and objectives of the company, are forward-looking statements that involve risks and uncertainties. There can be no assurance that such

statements will prove to be accurate and actual results and future events could differ materially from those anticipated in such statements. Technical complications, which may arise, could prevent the prompt implementation of any strategically significant plan(s) outlined above. The Company undertakes no duty to revise or update any forward-looking statements to reflect events or circumstances after the date of this release.

Brian Buckley
Sales Manager
Thunder Energies Corporation
brian@thunder-energies.com

Reply Reply to All